

**For the following igus® Series**

**System E2**

- 2500
- 255

**System E2 e-tubes**

- R48

**System E6**

- E6.29/R6.29

**E2 medium classic**

- 250 classic

- $B_a$  = Outer e-chain® width
- $B_i$  = Inner e-chain® width
- $h_a$  = e-chain® outer height
- $H_{Ri}$  = Inner trough height
- $H_{Ra}$  = Outer trough height
- $B_{Ri}$  = Inner trough width ▶ depends on dim.  $B_a$
- $B_{Ra}$  = Outer trough width

$H_{Ri} \geq 2 \cdot h_a$   
 $B_{Ri} \geq B_a + 4$

- = Guide trough
- = Glide bar
- = Installation set "Basic"
- = C-profile

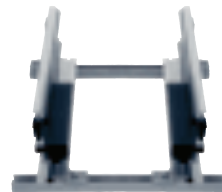
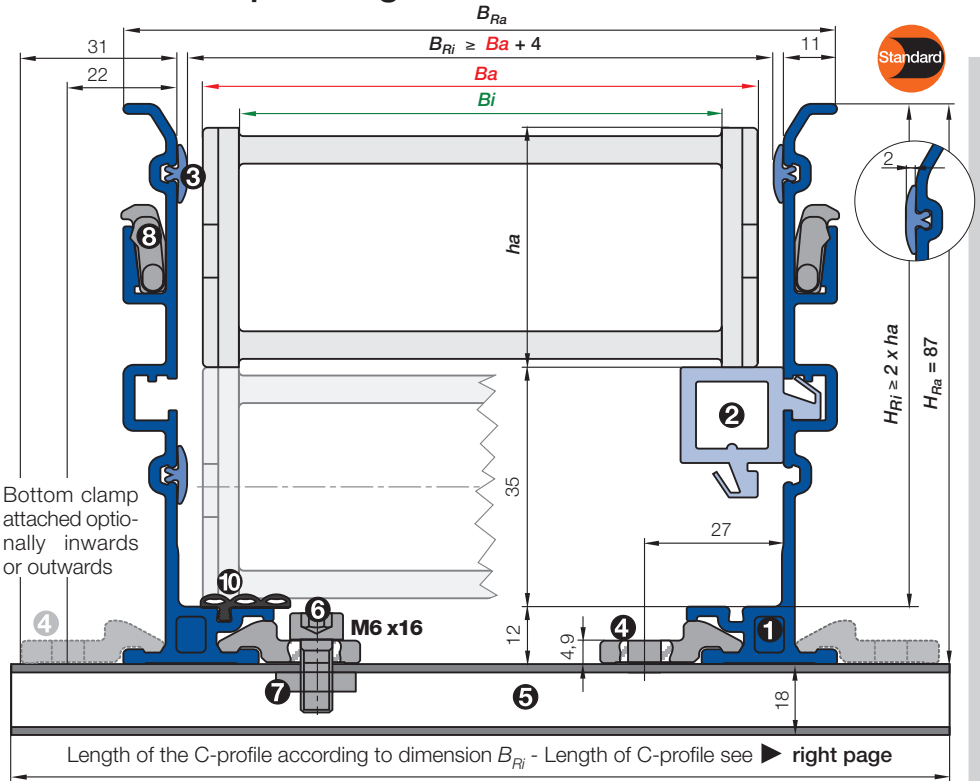
**Calculation - travel center mounted**

Half travel length, rounded down to full 2 m sections = **X m guide trough length without glide bars + X m guide trough length with glide bars + installation sets "Basic"** (number of trough pieces + 1)

Supplement Part No. with the indicated C-profile-length-index.  
**Example: 960.30.150**

C-profile length-index for your chosen trough inner width  $B_{Ri}$  ▶ see table on the right or the respective page for chosen series

**Fixed end module** - A quick fix for mounting the stationary end of an e-chain® ▶ **page 9.16**



- **Components, trough "Basic":** ① Trough side parts, aluminum, 2 m ② Glide bar, plastic, 2 m ③ Glide strips, plastic, 2 m (without glide strips on request) ⑩ Optional: Silencer profile, rubber
- **Components, installation set "Basic":** ④ Bottom clamp, aluminum ⑤ C-profile, steel galvanized ⑥ Screw M6 x16 ⑦ Sliding nut M6 ⑧ Interface connector, plastic

**Basic version: Aluminum "SuperTrough" components**

Complete guide trough sets - description	Part No.	Weight	kg
① Set of 2 trough side parts, incl. glide strips, without glide bars, 2 m section	971.30.SL	≈ 5,00 kg	
① Set of 2 trough side parts, incl. glide strips, with glide bars, 2 m section	971.31.SL	≈ 6,40 kg	
1 Installation set "Basic" without C-profile	960.30	≈ 0,06 kg	
1 Installation set "Basic" with C-profile	960.30.		
Single parts - description			
③ 1 Glide strip, individual, 2 m section	75.01	≈ 0,06 kg	
⑩ 1 Silencer profile, rubber, individual, 2 m section	75.67.H		
④ 1 Bottom clamp, individual	75.40	≈ 0,03 kg	
⑧ 1 Interface connector, individual	75.60		
⑥ 1 Screw M6 x 16, individual	MAT 0040209		
⑦ 1 Sliding nut M6, individual	MAT 0040057		
② 1 Glide bar, individual, 2 m section	82.79	≈ 0,60 kg	
⑤ 1 C-profile, individual	92.52.	≈ 0,90 kg/m	

**Order example: Length of travel 30 m - Center mounted for Series 2500.07.200.0 with  $B_{Ri} = 97$**

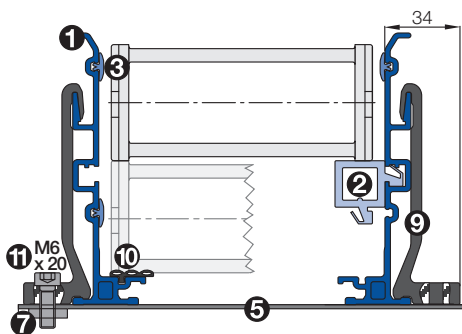
Guide trough set (set of 2 trough side parts, incl. glide strips) <b>without</b> glide bar	<b>Order text: 16 m guide trough without glide bar (8 x 2 m sections)</b>	<b>Part No. 971.30.SL</b>
Guide trough set (set of 2 trough side parts, incl. glide strips) <b>with</b> glide bar	<b>Order text: 16 m guide trough with glide bar (8 x 2 m sections)</b>	<b>Part No. 971.31.SL</b>
Installation set "Basic" complete (guide trough-sets + 1)	<b>Order text: 17 installation sets "Basic"</b>	<b>Part No. 960.30.150</b>
Module for the fixed end	<b>Order text: 1 set</b>	<b>Part No. 971.80</b>
<b>Option:</b> For an additional noise dampening with silencer profile, please add Index A Example:		<b>Part No. 971.30.SLA</b>

## Lengths of C-profile for Basic version - Bottom clamp attached optionally inwards or outwards

2500				255				E6.29/R6.29				R48			
2500.02.200.0				255.03.200.0				E6.29.030.100.0				48.050.100.0			
$B_{Ri}$ [mm]	Part No. attached inwards	Part No. attached outwards		$B_{Ri}$ [mm]	Part No. attached inwards	Part No. attached outwards		$B_{Ri}$ [mm]	Part No. attached inwards	Part No. attached outwards		$B_{Ri}$ [mm]	Part No. attached inwards	Part No. attached outwards	
.02	45	*	960.30.150	.03	58	*	960.30.150	.030	50	*	960.30.150	.025	40	*	960.30.150
.03	58	*	960.30.150	.05	77	960.30.125	960.30.175	.040	60	*	960.30.175	.050	65	*	960.30.175
.05	77	960.30.125	960.30.175	.07	97	960.30.150	960.30.200	.050	70	*	960.30.175	.075	90	960.30.150	960.30.200
.07	97	960.30.150	960.30.200	.10	123	960.30.175	960.30.225	.060	80	960.30.150	960.30.175	.100	115	960.30.175	960.30.225
.09	109	960.30.175	960.30.225					.070	90	960.30.150	960.30.200	.130	145	960.30.200	960.30.250
.10	123	960.30.175	960.30.225					.080	100	960.30.150	960.30.200				
.12	145	960.30.200	960.30.250					.090	110	960.30.175	960.30.225				
								.100	120	960.30.175	960.30.225				
								.110	130	960.30.200	960.30.225				
								.120	140	960.30.200	960.30.250				

\*upon request

## "Heavy Duty" Version | Installation set Part No. 971.50



- **Components, trough "Heavy Duty":** ① Trough side parts, aluminum, 2 m ② Glide bar, plastic, 2 m ③ Glide strips, plastic 2 m (without glide strips on request) ⑩ Optional: Silencer profile, rubber
- **Components, installation set "Heavy Duty":** ⑤ C-profile, steel galvanized ⑦ Sliding nut M6 ⑨ Heavy duty bracket, aluminum ⑪ Screw M6 x 20

**Note:** Dimensions similar to Basic version!  
**Exception:** Heavy duty bracket, see drawing



- = Guide trough
- = Glide bar
- = Installation set "Heavy duty"
- = C-profile

Insert for the installation set "Heavy-Duty": **971.50.XXX** instead of **960.30.XXX** on the right column "attached outwards"

**"Heavy Duty" installation set Part No. 971.50.150**

! The inner width of the guide through and the length of the C-Profile of the assembly kit can differ according to the bracket you choose. Please call us!