

For the following igus® Series

System E4

- E4.32/H4.32/R4.32
- 280/290/R770
- 2828/2928/R7728

System E6

- E6.40/R6.40

- B_a = Outer e-chain® width
- B_i = Inner e-chain® width
- h_a = e-chain® outer height
- H_{Ri} = Inner trough height
- H_{Ra} = Outer trough height
- B_{Ri} = Inner trough width ▶ depends on dim. B_a
- B_{Ra} = Outer trough width

$H_{Ri} \geq 2 \cdot h_a$
 $B_{Ri} \geq B_a + 4$

- = Guide trough
- = Glide bar
- = Installation set "Basic"
- = C-profile

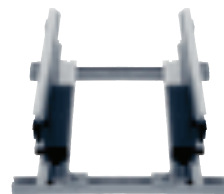
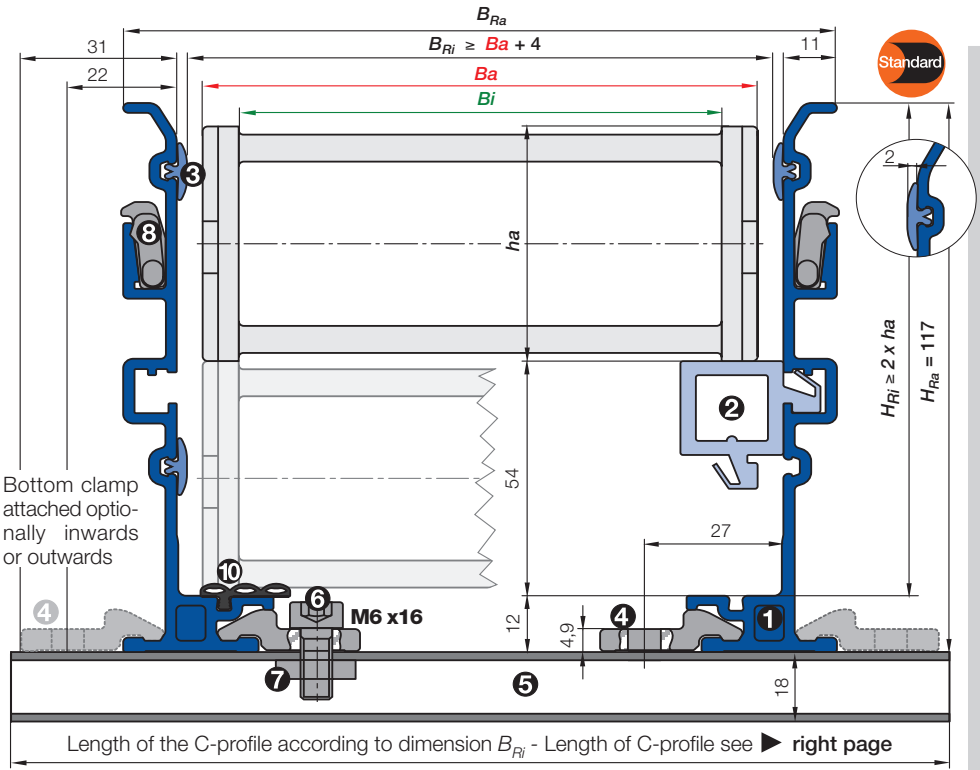
Calculation - travel center mounted

Half travel length, rounded down to full 2 m sections = **X m guide trough length without glide bars** + **X m guide trough length with glide bars** + **installation sets "Basic"** (number of trough pieces + 1)

Supplement Part No. with the indicated C-profile-length-index.
Example: 960.30.150

C-profile length-index for your chosen trough inner width B_{Ri} ▶ see table on the right or the respective page for chosen series

Fixed end module - A quick fix for mounting the stationary end of an e-chain® ▶ **page 9.16**



- **Components, trough "Basic":** ① Trough side parts, aluminum, 2 m ② Glide bar, plastic, 2 m ③ Glide strips, plastic, 2 m (without glide strips on request) ⑩ Optional: Silencer profile, rubber
- **Components, installation set "Basic":** ④ Bottom clamp, aluminum ⑤ C-profile, steel galvanized ⑥ Screw M6 x16 ⑦ Sliding nut M6 ⑧ Interface connector, plastic

Basic version: Aluminum "SuperTrough" components

| Complete guide trough sets - description | Part No. | Weight | kg |
|---|-------------|-------------|----|
| ① Set of 2 trough side parts, incl. glide strips, without glide bars, 2 m section | 972.30.SL | ≈ 6,00 kg | |
| ① Set of 2 trough side parts, incl. glide strips, with glide bars, 2 m section | 972.31.SL | ≈ 7,40 kg | |
| 1 Installation set "Basic" without C-profile | 960.30 | ≈ 0,06 kg | |
| 1 Installation set "Basic" with C-profile | 960.30. | | |
| Single parts - description | | | |
| ③ 1 Glide strip, individual, 2 m section | 75.01 | ≈ 0,06 kg | |
| ⑩ 1 Silencer profile, rubber, individual, 2 m section | 75.67.H | | |
| ④ 1 Bottom clamp, individual | 75.40 | ≈ 0,03 kg | |
| ⑧ 1 Interface connector, individual | 75.60 | | |
| ⑥ 1 Screw M6 x 16, individual | MAT 0040209 | | |
| ⑦ 1 Sliding nut M6, individual | MAT 0040057 | | |
| ② 1 Glide bar, individual, 2 m section | 82.79 | ≈ 0,60 kg | |
| ⑤ 1 C-profile, individual | 92.52. | ≈ 0,90 kg/m | |

Order example: Length of travel 30 m - Center mounted for Series E4.32.07.200.0 with $B_{Ri} = 102$

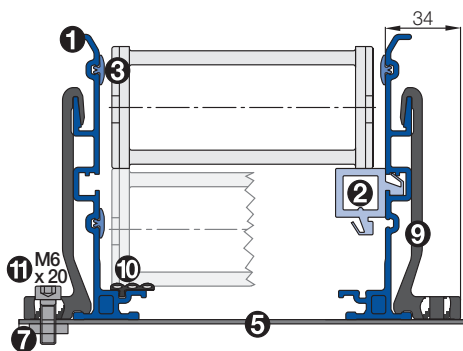
| | | |
|---|-----------------|-------------------|
| Guide trough set (set of 2 trough side parts, incl. glide strips) without glide bar | | |
| Order text: 16 m guide trough without glide bar (8 x 2 m sections) | Part No. | 972.30.SL |
| Guide trough set (set of 2 trough side parts, incl. glide strips) with glide bar | | |
| Order text: 16 m guide trough with glide bar (8 x 2 m sections) | Part No. | 972.31.SL |
| Installation set "Basic" complete (guide trough-sets + 1) | | |
| Order text: 17 installation sets "Basic" | Part No. | 960.30.150 |
| Module for the fixed end | | |
| Order text: 1 set | Part No. | 972.80 |
| Option: For an additional noise dampening with silencer profile, please add Index A Example: | Part No. | 972.30.SLA |

Lengths of C-profile for Basic version - Bottom clamp attached optionally inwards or outwards

| E4.32/H4.32/R4.32 | | | | 280/290/R770 | | | | 2828/2928/R7728 | | | | E6.40/R6.40 | | | |
|-------------------|---------------------------------|----------------------------------|------------|------------------|---------------------------------|----------------------------------|------------|------------------|---------------------------------|----------------------------------|------------|------------------|---------------------------------|----------------------------------|------------|
| E4.32.05.200.0 | | | | 280.05.200.0 | | | | 2828.05.200.0 | | | | E6.40.040.063.0 | | | |
| B_{Ri} [mm] | Part No. attached inwards | Part No. attached outwards | | B_{Ri} [mm] | Part No. attached inwards | Part No. attached outwards | | B_{Ri} [mm] | Part No. attached inwards | Part No. attached outwards | | B_{Ri} [mm] | Part No. attached inwards | Part No. attached outwards | |
| .05 | 77 | 960.30.125 | 960.30.175 | .05 | 77 | 960.30.125 | 960.30.175 | .05 | 78 | 960.30.125 | 960.30.175 | .040 | 64 | * | 960.30.175 |
| .06 | 95 | 960.30.150 | 960.30.200 | .06 | 95 | 960.30.150 | 960.30.200 | .06 | 96 | 960.30.150 | 960.30.200 | .050 | 74 | 960.30.125 | 960.30.175 |
| .07 | 102 | 960.30.150 | 960.30.200 | .07 | 102 | 960.30.150 | 960.30.200 | .07 | 103 | 960.30.150 | 960.30.200 | .062 | 86 | 960.30.150 | 960.30.200 |
| .087 | 114 | 960.30.175 | 960.30.225 | .087 | 114 | 960.30.175 | 960.30.225 | .087 | 115 | 960.30.175 | 960.30.225 | .070 | 94 | 960.30.150 | 960.30.200 |
| .10 | 127 | 960.30.175 | 960.30.225 | .10 | 127 | 960.30.175 | 960.30.225 | .10 | 128 | 960.30.175 | 960.30.225 | .075 | 99 | 960.30.150 | 960.30.200 |
| .11 | 135 | 960.30.200 | 960.30.250 | .11 | 135 | 960.30.200 | 960.30.250 | .11 | 136 | 960.30.200 | 960.30.225 | .087 | 111 | 960.30.175 | 960.30.225 |
| .112 | 140 | 960.30.200 | 960.30.250 | .112 | 140 | 960.30.200 | 960.30.250 | .112 | 141 | 960.30.200 | 960.30.250 | .100 | 124 | 960.30.175 | 960.30.225 |
| .12 | 152 | 960.30.200 | 960.30.250 | .12 | 152 | 960.30.200 | 960.30.250 | .12 | 153 | 960.30.200 | 960.30.250 | .125 | 149 | 960.30.200 | 960.30.250 |
| .137 | 165 | 960.30.225 | 960.30.275 | .137 | 165 | 960.30.225 | 960.30.275 | .137 | 166 | 960.30.225 | 960.30.275 | .150 | 174 | 960.30.225 | 960.30.275 |
| .15 | 177 | 960.30.225 | 960.30.275 | .15 | 177 | 960.30.225 | 960.30.275 | .15 | 178 | 960.30.225 | 960.30.275 | .175 | 199 | 960.30.250 | 960.30.300 |
| .162 | 190 | 960.30.250 | 960.30.300 | .162 | 190 | 960.30.250 | 960.30.300 | .162 | 191 | 960.30.250 | 960.30.300 | .200 | 224 | 960.30.275 | 960.30.325 |
| .17 | 195 | 960.30.250 | 960.30.300 | .17 | 195 | 960.30.250 | 960.30.300 | .17 | 196 | 960.30.250 | 960.30.300 | .225 | 249 | 960.30.300 | 960.30.350 |
| .18 | 202 | 960.30.250 | 960.30.300 | .18 | 202 | 960.30.250 | 960.30.300 | .18 | 203 | 960.30.250 | 960.30.300 | .250 | 274 | 960.30.325 | 960.30.375 |
| .187 | 215 | 960.30.275 | 960.30.325 | .187 | 215 | 960.30.275 | 960.30.325 | .187 | 216 | 960.30.275 | 960.30.325 | .275 | 299 | 960.30.350 | 960.30.400 |
| .20 | 227 | 960.30.275 | 960.30.325 | .20 | 227 | 960.30.275 | 960.30.325 | .20 | 228 | 960.30.275 | 960.30.325 | .300 | 324 | 960.30.375 | 960.30.425 |
| .212 | 240 | 960.30.300 | 960.30.350 | .212 | 240 | 960.30.300 | 960.30.350 | .212 | 241 | 960.30.300 | 960.30.350 | | | | |
| .23 | 252 | 960.30.300 | 960.30.350 | .23 | 252 | 960.30.300 | 960.30.350 | .23 | 253 | 960.30.300 | 960.30.350 | | | | |
| .237 | 265 | 960.30.325 | 960.30.375 | .237 | 265 | 960.30.325 | 960.30.375 | .237 | 266 | 960.30.325 | 960.30.375 | | | | |
| .25 | 277 | 960.30.325 | 960.30.375 | .25 | 277 | 960.30.325 | 960.30.375 | .25 | 278 | 960.30.325 | 960.30.375 | | | | |
| .262 | 290 | 960.30.350 | 960.30.400 | .262 | 290 | 960.30.350 | 960.30.400 | .262 | 291 | 960.30.350 | 960.30.400 | | | | |
| .28 | 302 | 960.30.350 | 960.30.400 | .28 | 302 | 960.30.350 | 960.30.400 | .28 | 303 | 960.30.350 | 960.30.400 | | | | |
| .29 | 315 | 960.30.375 | 960.30.425 | .29 | 315 | 960.30.375 | 960.30.425 | .29 | 316 | 960.30.375 | 960.30.425 | | | | |
| .30 | 327 | 960.30.375 | 960.30.425 | .30 | 327 | 960.30.375 | 960.30.425 | .30 | 328 | 960.30.375 | 960.30.425 | | | | |
| .312 | 340 | 960.30.400 | 960.30.450 | .312 | 340 | 960.30.400 | 960.30.450 | .312 | 341 | 960.30.400 | 960.30.450 | | | | |
| .325 | 352 | 960.30.400 | 960.30.450 | .325 | 352 | 960.30.400 | 960.30.450 | .325 | 353 | 960.30.400 | 960.30.450 | | | | |
| .337 | 365 | 960.30.425 | 960.30.475 | .337 | 365 | 960.30.425 | 960.30.475 | .337 | 366 | 960.30.425 | 960.30.475 | | | | |
| .350 | 377 | 960.30.425 | 960.30.475 | .350 | 377 | 960.30.425 | 960.30.475 | .350 | 378 | 960.30.425 | 960.30.475 | | | | |
| .362 | 390 | 960.30.450 | 960.30.500 | .362 | 390 | 960.30.450 | 960.30.500 | .362 | 391 | 960.30.450 | 960.30.500 | | | | |
| .375 | 402 | 960.30.450 | 960.30.500 | .375 | 402 | 960.30.450 | 960.30.500 | .375 | 403 | 960.30.450 | 960.30.500 | | | | |
| .387 | 415 | 960.30.475 | 960.30.525 | .387 | 415 | 960.30.475 | 960.30.525 | .387 | 416 | 960.30.475 | 960.30.525 | | | | |
| .400 | 427 | 960.30.475 | 960.30.525 | .400 | 427 | 960.30.475 | 960.30.525 | .400 | 428 | 960.30.475 | 960.30.525 | | | | |

*upon request

"Heavy Duty" Version | Installation set Part No. 972.50



- Components, trough "Heavy Duty": ① Trough side parts, aluminum, 2 m ② Glide bar, plastic, 2 m ③ Glide strips, plastic 2 m (without glide strips on request) ⑩ Optional: Silencer profile, rubber
- Components, installation set "Heavy Duty": ⑤ C-profile, steel galvanized ⑦ Sliding nut M6 ⑨ Heavy duty bracket, aluminum ⑪ Screw M6 x 20

Note: Dimensions similar to Basic version!
Exception: Heavy duty bracket, see drawing



- = Guide trough
- = Glide bar
- = Installation set "Heavy duty"
- = C-profile

Insert for the installation set "Heavy-Duty": **972.50.XXX** instead of **960.30.XXX** on the right column "attached outwards"

"Heavy Duty" installation set Part No. 972.50.150

! The inner width of the guide through and the length of the C-Profile of the assembly kit can differ according to the bracket you choose. Please call us!